

# AntennaTek, Inc.

## GEAR REPLACEMENT INSTRUCTIONS MOD 250, 350 & 500 (CURRENT ANTENNAS)

Part Number: 019612

11/04/03

1. Place the antenna in travel position. Remove elevation handle, spring, washer and rotation handle, located in the ceiling inside your vehicle (use a #2 Phillips screw driver to loosen the set screw on the elev. handle.)
2. Remove the hex plug from gear housing, located on top of the roof of your vehicle (use a 1" socket).
3. Remove capnut and pin from upper arm. Remove worm gear and shaft assembly. Cut new elev. shaft assembly the same length as the old one.
4. Install new elev. shaft assembly. Push the elev. shaft assembly until reaches the bottom of the hole in the gear housing and the "O" ring is compressed inside the hole.
5. Reinstall the hex plug and insure that it is tightened all the way. The hex plug holds the elev. shaft assembly in the proper place.
6. Insert new worm gear into upper arm, then Install pin and capnut.
7. Reinstall rotation handle, washer, spring, elevation handle and tighten the set screw.

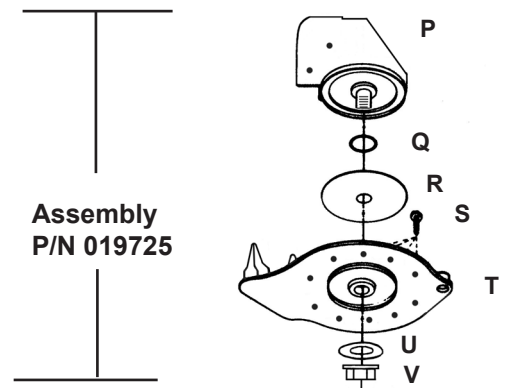
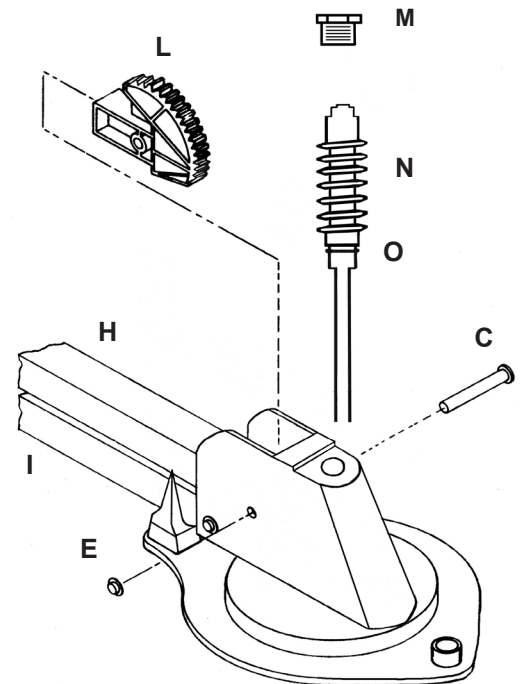
**OPERATION:** Your antenna will function as follows:

**RAISING ANTENNA:** Rotate elev. handle clockwise. When the antenna reaches its raised position, resistance will be felt in the handle, this indicates the antenna is fully extended. **DO NOT APPLY EXCESSIVE FORCE**

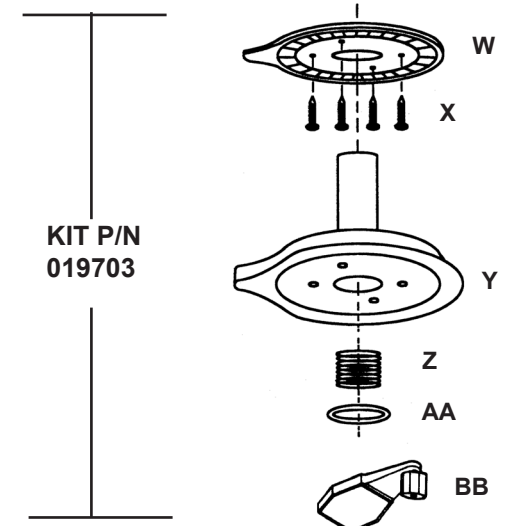
**LOWERING ANTENNA:** Insure that the pointers on the ceiling plate and the rotation handle are aligned. Rotate elev. handle counterclockwise until you hear the antenna touch the roof (resistance will be felt in the handle).

**Warning !!! Lowering the antenna without aligning the pointers, may damage the antenna.**

SYMB	DESCRIPTION	P/N
C	Pin	065565
E	Cap Nut	030260
H	Upper Arm	065601
I	Lower Arm	065602
L	Worm Gear	065645
M	Hex Plug	065614
N	Elev. Shaft ASM	065641
O	Small O-Ring	065568
P	Alum. Gear Housing	065610
Q	Large O-Ring	065569
R	Disc Washer	065561C
T	Alum. Base Plate	065551C



Assembly  
P/N 019725



KIT P/N  
019703